

DS-2DF5220 Series

2 Megapixel Network PTZ Dome Camera



Key features

System function:

- High performance CMOS, up to 1920x1080 resolution
- Support linkage with fisheye camera
- Heat mapping
- HDMI output
- G-sensor for automatically mirror
- IR remote control
- $\pm 0.1^\circ$ Preset Accuracy
- ONVIF(Open Network Video Interface Forum), CGI(Common Gateway Interface), PSIA(Physical Security Interoperability Alliance), to ensure greater interoperability between different platforms and compatibility
- 3D intelligent positioning function
- 3D DNR
- Power-off memory function: restore PTZ & Lens status after reboot
- Scheduled PTZ movement
- Optional WiFi
- Optional HD-SDI output
- Optional YPbPr
- Optional PoE+

Smart function:

- Smart tracking modes: support manual/ panorama/ intrusion trigger/ line crossing trigger / Region entrance trigger / Region exiting
- Smart detection: support face detection, intrusion detection, line crossing detection, audio exception detection, region entrance, region exiting
- Smart recording: support edge recording, support smart search in smart NVR

- Smart image processing: support defog, HLC, EIS
- Smart codec: low bit rate, ROI

Camera function:

- Auto iris, auto focus, auto white balance, backlight compensation and auto day & night switch
- Min. Illumination: 0.02Lux@(F1.6,AGC ON)(Color), 0.002Lux@(F1.6,AGC ON)(B/W)
- Support privacy mask with multiple colors and mosaics on polygonal areas

PTZ function:

- 360° endless pan range and -30°-90° tilt range
- 270°/s Pan Preset Speed and 200°/s Tilt Preset Speed
- Manual pan speed of 0.1° -150°/s and manual tilt speed of 0.1° -120°/s
- 300 presets programmable; preset image freezing capability
- 8 patrols, up to 32 presets per patrol
- 4 patterns, with the recording time not less than 10 minutes per pattern
- Park action: auto call up of PTZ movement, after a defined time of inactivity
- 2 alarm inputs and 1 alarm outputs

Network function:

- H.264/MJPEG/MPEG4 video compression and the latest Davinci processing chip and platform
- Support H.264 encoding with Baseline/Main/High profile
- ROI(Region of Interest) encoding(support 24 areas with adjustable levels)
- Built-in Web server
- Micro SD/SDHC/SDXC card local storage
- Support up to 8 NAS storage; Edge recording(transmit the videos from SD card to the NAS after network resumed)
- HTTPS encryption and IEEE 802.1X port-based network access control
- Support three-stream; Basic and advanced video configuration; Real time video at 1080P/960P/720P
- Multiple network protocols supported: IPv4/Ipv6, HTTP, HTTPS, 802.1X, QoS, FTP, SMTP, UPnP, SNMP, DNS, DDNS, NTP, RTSP, RTP, TCP, UDP, IGMP, ICMP, DHCP, PPPoE
- 1 audio input and 1 audio output

Application Scenarios

It can be widely applied to places requiring wide-area monitoring and high-definition display, such as rivers, forests, highways, railways, airports, ports, sentries, squares, parks, scenic sites, streets, stations, large venues, outside of residential areas, etc.

Specifications

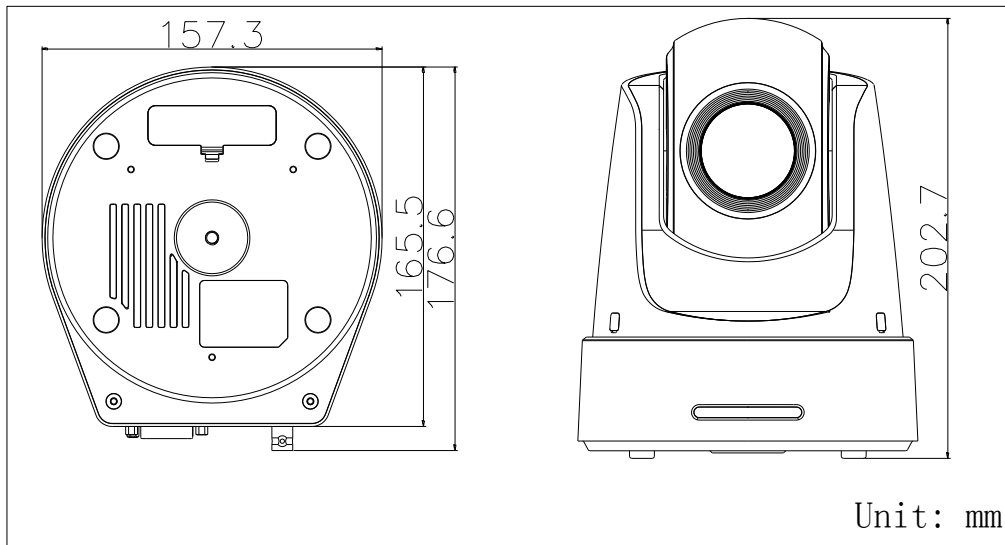
Model		DS-2DF5220 series	
		2 Megapixel 5 Inch Network PTZ Dome Camera	
Camera	Image Sensor	1/3" Progressive Scan CMOS	
	Effective Pixel	2400K pixels	
	Min. Illumination	Color : 0.3 lux (F1.6,1/30 sec, 50 IRE, AGC On) B/W : 0.02 lux (F1.6,1/30 sec, 50 IRE, AGC On)	

		Color : 0.02 lux (F1.6, 1/1 sec, 50 IRE, AGC On) B/W : 0.002 lux (F1.6, 1/1 sec, 50 IRE, AGC On)
	White Balance	Auto / Manual / ATW/Indoor/Outdoor/Daylight lamp/Sodium lamp
	AGC	Auto / Manual
	S / N Ratio	≥ 55dB
	3D DNR	Support
	EIS	Support
	HLC	Support
	Defog	Support
	BLC	Support
	Digital WDR	Support
	Shutter Time	50Hz: 1/1-1/30,000s 60Hz: 1/1-1/30,000s
	Day & Night	IR Cut Filter
	Digital Zoom	16X
	Privacy Mask	24 privacy masks programmable; optional multiple colors and mosaics
	Focus Mode	Auto / Semiautomatic / Manual
	Mirror	Automatically mirror with G sensor
	IR remote control	Support
Lens	Focal Length	4.7-94mm, 20x
	Zoom Speed	Approx.2.7s(Optical Wide-Tele)
	Angle of View	58.3-3.2 degree (Wide-Tele)
	Min. Working Distance	10-1500mm(Wide-Tele)
	Aperture Range	F1.6-F3.5
Pan and Tilt	Pan Range	360° endless
	Pan Speed	Pan Manual Speed: 0.1° -150°/s, Pan Preset Speed: 270°/s
	Tilt Range	-30°-90°(Auto Flip)
	Tilt Speed	Tilt Manual Speed: 0.1°-120°/s, Tilt Preset Speed: 200°/s
	Proportional Zoom	Rotation speed can be adjusted automatically according to zoom multiples
	Number of Preset	300
	Patrol	8 patrols, up to 32 presets per patrol
	Pattern	4 patterns, with the recording time not less than 10 minutes per pattern
	Power-off Memory	Support
	Park Action	Preset / Patrol / Pattern / Pan scan / Tilt scan / Random scan / Frame scan / Panorama scan
	PTZ Position Display	On / Off
	Preset Freezing	Support
	Scheduled Task	Preset / Patrol / Pattern / Pan scan / Tilt scan / Random scan / Frame scan / Panorama scan/Dome reboot/Self-test action/Alarm output

	Smart tracking	Manual/ Panorama/ Intrusion trigger/ Line crossing trigger / Region entrance trigger / Region exiting trigger
Alarm	Alarm Input	2
	Alarm Output	1 relay outputs, alarm response actions configurable
	Alarm Trigger	Face detection, Intrusion detection, Line crossing detection, Region entrance, Region exiting, Audio exception detection, Motion detection, Audio Exception Detection, Dynamic analysis, Tampering alarm, Network disconnect, IP address conflict, Storage exception
	Alarm Actions	Preset, Patrol, Pattern, recording, Relay output, Notification on Client, smart snapshot, upload FTP, email linkage
Input/ Output	Monitor Output	1.0V[p-p] / 75Ω, NTSC (or PAL) composite, BNC
	Audio Input	1 Mic in/Line in interface Line input: 2-2.4V[p-p]; output impedance: 1KΩ, ±10%
	Audio Output	1 Audio output interface Line level, impedance: 600Ω
	HD-SDI Output(optional)	1 HD-SDI interface Video Output: 720P@25fps/30fps/50fps/60fps; 1080P@25fps/30fps/50fps/60fps, 1080I@50fps/60fps
	YPbPr Output(optional)	1 YPbPr interface Video Output: 720P@50fps/60fps; 1080P@50fps/60fps, 1080I@50fps/60fps
	HDMI Output	1 HDMI interface Video Output: 720P@50fps/60fps; 1080P@50fps/60fps, 1080I@50fps/60fps
WiFi	Wireless Standards	IEEE802.11b, 802.11g, 802.11n
	Frequency Range	2.4 GHz ~ 2.4835 GHz
	Channel Bandwidth	20/40MHz Support
	Protocols	802.11b: CCK, QPSK, BPSK 802.11g/n: OFDM
	Security	64/128-bit WEP, WPA/WPA2, WPA-PSK/WPA2-PSK, WPS
	Transfer Rates	11b: 11Mbps 11g: 54Mbps 11n: up to 150Mbps
	Wireless Range	30m(*The performance varies depending on actual environment.)
Network	Ethernet	10Base-T / 100Base-TX, RJ45 connector
	Max. Image Resolution	1920×1080
	Main Stream	50Hz: 25fps(1920×1080), 25fps(1280×960), 25fps(1280×720) 60Hz: 30fps(1920×1080), 30fps(1280×960), 30fps(1280×720)
	Sub Stream	50Hz: 25fps(704×576), 25fps (352×288), 25fps (176×144) 60Hz: 30fps(704×480), 30fps (352×240), 30fps (176×120)
	Third Stream	50Hz: 25fps(1920×1080), 25fps(1280×960), 25fps (1280×720), 25fps(704×576), 25fps (352×288), 25fps (176×144) 60Hz: 30fps(1920×1080), 30fps(1280×960), 30fps (1280×720), 30fps(704×480), 30fps (352×240), 30fps (176×120)
	Image Compression	H.264/MJPEG/MPEG4, H.264 encoding with Baseline/Main/High profile

	SVC	Support
	ROI encoding	Support 24 areas with adjustable levels
	Audio Compression	G.711ulaw/G.711alaw/G.726/MP2L2/G.722
	Protocols	IPv4/IPv6, HTTP, HTTPS, 802.1X, QoS, FTP, SMTP, UPnP, SNMP, DNS, DDNS, NTP, RTSP, RTP, TCP, UDP, IGMP, ICMP, DHCP, PPPoE
	Number of Simultaneous Live View	Up to 20
	Three Streams	Support
	Mini SD Memory Card	Manual REC / Alarm REC. Built-in Micro SD/SDHC/SDXC card Slot, up to 64GB Edge recording
	User/Host Level	Up to 32 users,3 Levels: Administrator, Operator and User
	Security Measures	User authentication (ID and PW), Host authentication (MAC address) IP address filtering
System Integration	Interface for application programming	Open-ended API, support ONVIF, PSIA and CGI
	Client	iVMS-4200
	Web Browser	IE 7+, Chrome 18 +, Firefox 5.0 +, Safari 5.02 +, support multi-language
General	Menu Language	Chinese/English
	RS-485 Protocols	HIKVISION, Pelco-P, Pelco-D, self-adaptive
	RS-232	Visca, Pelco-P, Pelco-D
	Power	12 VDC, -DE4/W: 12VDC, PoE+ Max. 24W
	Working Temperature / Humidity	-10°C -50°C (14°F -122°F) 90% or less
	Mounting	Various mounting modes optional
	Dimensions(mm)	Φ 176.6×202.7
	Weight (approx.)	1.8kg

Dimensions



Order models

- DS-2DF5220-D4, 12VDC, indoor
- DS-2DF5220S-DE4/W, 12VDC, indoor with HD-SDI, YPbPr interface; support WiFi and PoE+

Accessories



DS-1691ZJ
Pendent Mount Bracket



DS-1692ZJ
Wall Mount Bracket