

DS-2CE56D1T-VPIR



Key Features

- 2 Megapixel high-performance CMOS
- Turbo HD output, up to 1080P resolution
- True Day/Night, Smart IR
- Up to 20m IR distance
- Vandal proof
- OSD menu controlled via UTC

Specification

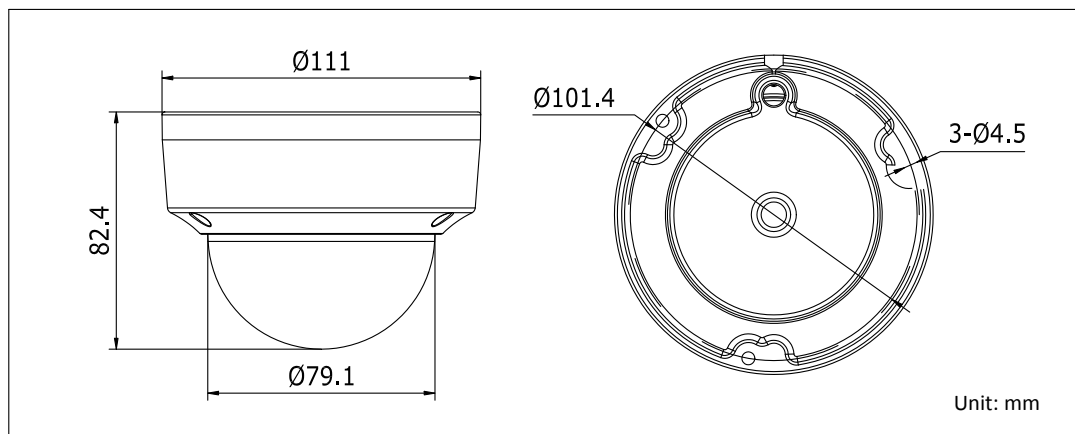
Model	DS-2CE56D1T-VPIR
Parameter	Turbo HD1080p IR Dome Camera
Camera	
Image Sensor	1/2.7" Progressive Scan CMOS
Signal System	PAL/NTSC
Effective Pixels	1930(H)*1088(V)
Min. Illumination	0.1 Lux @ (F1.2,AGC ON),0 Lux with IR
Shutter Time	1/25(1/30) s to 1/50,000 s
Lens	3.6mm (2.8mm, 6mm optional)
	Angle of View: 90°(3.6mm), 115.6°(2.8mm), 55.4°(6mm)
Lens Mount	M12
Angle Adjustment	Pan: 0 - 360°, Tilt: 0 - 90°, Rotation: 0 - 360°
Day & Night	ICR
Synchronization	Internal synchronization
Video Frame Rate	1080p@25fps/1080p@30fps
HD Video Output	1 turbo HD output
CVBS Output	1Vp-p Composite Output(75Ω/BNC)

S/N Ratio	More than 52dB
Menu	
Camera ID	On/off (0-255)
AGC	Support
D/N Mode	Color/BW/Auto/EXT
White Balance	Auto/User/Push/8000K/6000K/4200K/3000K
Privacy Mask	On/Off, maximum 2 zones
Motion Detection	On/Off, maximum 4 zones
BLC	Support
Anti-flicker	On/Off
Language	English/Chinese
Functions	Digital noise reduction, Mirror
General	
Working Temperature/Humidity	-40 °C - 60 °C (-40 °F - 140 °F) Humidity 90% or less (non-condensing)
Power Supply	12V DC
Power Consumption	Max. 3W
IR Range	Up to 20m
Impact Protection	IEC60068-2-75 test, Eh, 20J; EN50102, up to IK10.
Communication	Up the coax Protocol: HIKVISION-C(Coaxitron)
Dimension	Φ111 × 82.4(Φ4.37" × 3.24")
Weight	550g (1.21 lb)

Order Model

DS-2CE56D1T-VPIR

Dimension



Accessories



Inclined ceiling mount
DS-1259ZJ



Indoor/outdoor wall mount
DS-1272ZJ-110